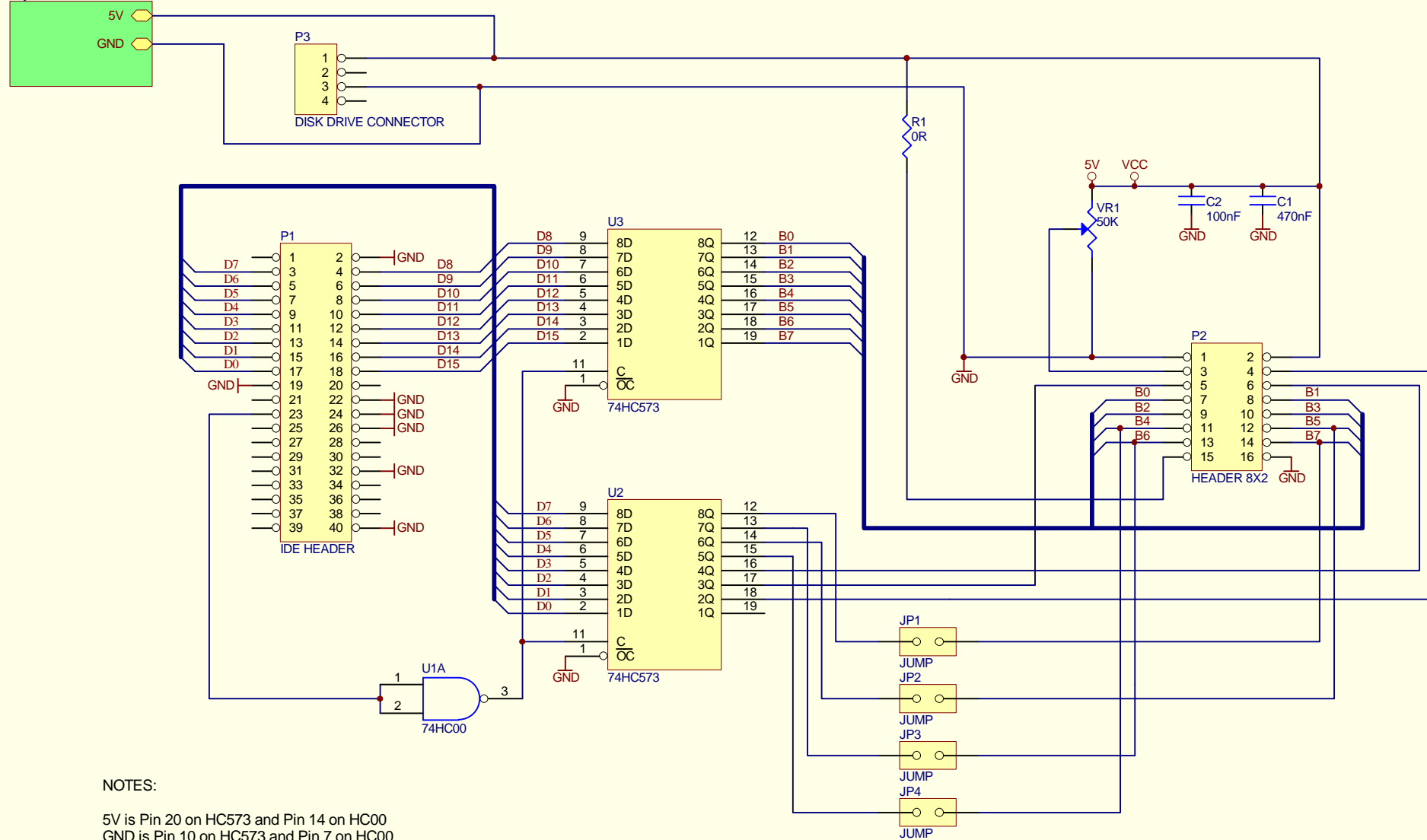


Keyboard Interface
keyboard.sch



NOTES:

5V is Pin 20 on HC573 and Pin 14 on HC00
 GND is Pin 10 on HC573 and Pin 7 on HC00
 Jumper JP1 -JP4 are used when a single 74HC573 is used (4 bit mode)

Title IDE to LCD Interface			Karter Electronics 10 Manor Avenue Kidderminster Worcs DY11 6EA Tel (01562) 829903, Fax (01562) 632024 Email Sales@karterelectronic.com
Size: A4	Dwg No	Rev A	
Date: 8-Mar-2004	Sheet 0 of 0		
File: D:\www\karter\linux\lcd_interface.Ddb - Sheet1.Sch			

