

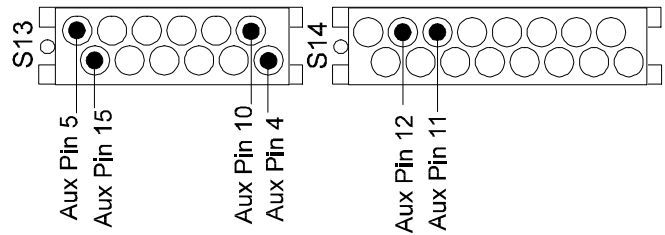
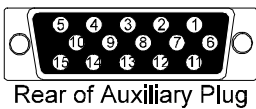
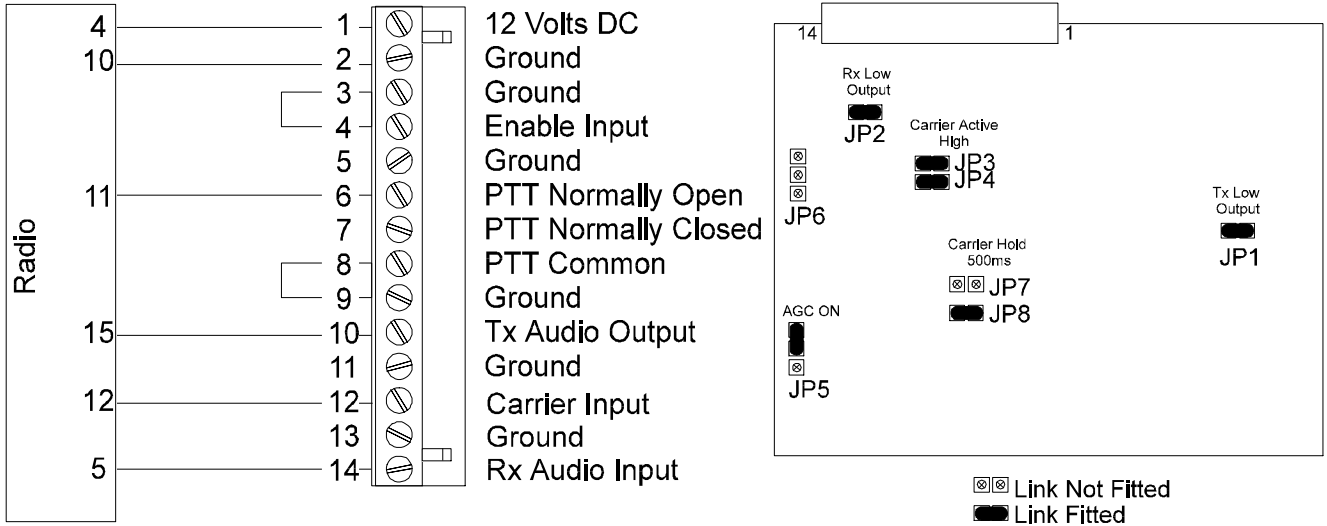
Sim peater, Application Note No 6



Tait T2000 Series

The information below is specific for the Tait T2000 Series of radio's.

The jumper settings should be correct for normal operation, however, you may wish to change *Carrier Hold Duration* and *AGC*.



The Tait T2000 series of radio's have an optional 15 Pin high density 'D' type connector fitted as an auxiliary connector. Inside the radio a small PCB is also added to provide 600 Ohm isolated Transmit and receive audio. If this PCB is not fitted then it is possible to connect the Simpeater by connecting the points marked S13 and S14 to a 'D' type connector. The Simpeater does not require isolated or balanced audio so the performance should be equally acceptable with or without the interface PCB.